

266, 267, 268



FEATURES:

- Cast iron motor housing with powder coated epoxy finish
- Designed to provide great heat dissipation from the motor
- Recessed, non-clogging vortex impeller design provides great solids-passing capability

APPLICATIONS:

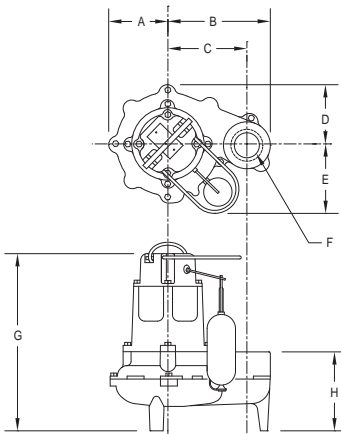
- Wastewater/sewage handling
- Dewatering
- Water transfer

OPTIONAL:

- Extra duty option for ambient water temperature of 60 °C (140 °F).
- Cast iron impeller available on models 266 and 267, standard on model 268.
- Additional cord lengths available in 7.6 m (25'), 10.6 m (35') and 15.2 m (50').
- Available with a type E/F [4.5 m (15') or 10.0 m (33')], G [4.5 m (15') or 10.0 m (33')] or I [4.5 m (15')] plug.

* Power cords less than 10.0 m (33') are intended for indoor use only.

Automatic Design



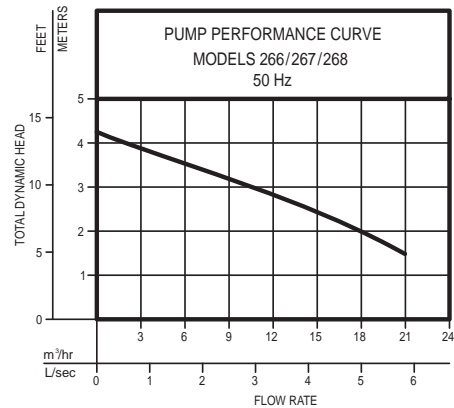
| MODEL | A | B | C | D |
|-------|-----------------|-------------------|-------------------|-----------------|
| 266 | 4 3/4" [121 mm] | 8 5/16" [211 mm] | 6 13/32" [163 mm] | 4 3/4" [121 mm] |
| 267 | 4 3/4" [121 mm] | 8 5/16" [211 mm] | 6 13/32" [163 mm] | 4 3/4" [121 mm] |
| 268 | 4 3/4" [121 mm] | 8 13/32" [214 mm] | 6 13/32" [163 mm] | 4 3/4" [121 mm] |

| E | F | G | H |
|-------------------|------------|-------------------|------------------|
| 6 15/32" [164 mm] | 2" NPT | 14 1/32" [356 mm] | 6 3/32" [155 mm] |
| 6 15/32" [164 mm] | 2" NPT | 14 5/8" [371 mm] | 6 3/4" [171 mm] |
| 6 15/32" [164 mm] | 2 1/3" NPT | 14 5/8" [371 mm] | 9 1/16" [230 mm] |

SK375



| Model | Mode | Volt | Ph | Amp | Motor | | Weight | |
|-------|------|------|----|-----|---------|-----|--------|------|
| | | | | | KW (p1) | HP | Kg. | Lbs. |
| U266 | Auto | 220 | 1 | 4.4 | 0.7 | 1/2 | 19 | 42 |
| V266 | Non | 220 | 1 | 4.4 | 0.7 | 1/2 | 19 | 42 |
| U267 | Auto | 220 | 1 | 4.4 | 0.7 | 1/2 | 22 | 49 |
| V267 | Non | 220 | 1 | 4.4 | 0.7 | 1/2 | 22 | 49 |
| U268 | Auto | 220 | 1 | 4.4 | 0.7 | 1/2 | 23 | 51 |
| V268 | Non | 220 | 1 | 4.4 | 0.7 | 1/2 | 23 | 51 |



011498

| PUMP | Material | |
|---------------------------|---------------------------------------|--|
| | Pump Housing | Cast iron |
| | Base | 266: engineered plastic 267, 268: cast iron |
| | Impeller | Engineered plastic w/ metal insert |
| | Shaft Seal | Carbon and ceramic |
| | Seal and gasket | Neoprene |
| | Power Cord | SOW/SOOW (CE model H07RN-F) |
| | Design Features | |
| | Impeller | Non-clogging vortex |
| | Bearings | Sleeve bearing upper/lower |
| Solid Passing | 50 mm (2") spherical solids | |
| Power Cord Length | 4.5 m (15') auto, 4.5 m (15') nonauto | |
| MOTOR | Motor Housing | Cast iron |
| | Type | Split phase |
| | RPM | 1400 |
| | Rotor | AISI 1215 cold roll steel |
| | Insulation Class | B |
| | Motor Protection | Auto reset thermal overload |
| | Protection Class | IP68 |
| | Cooling | Oil filled |
| Maximum Fluid Temperature | 54 °C (130 °F) | |
| Discharge Size | 2" NPT | |
| Max. Submersion Depth | 6 m (20') | |
| Hardware | Stainless steel | |
| On/Off Point | 30.4 cm (12") / 10.1 cm (4") | |